

BLACKMER PARTS LIST

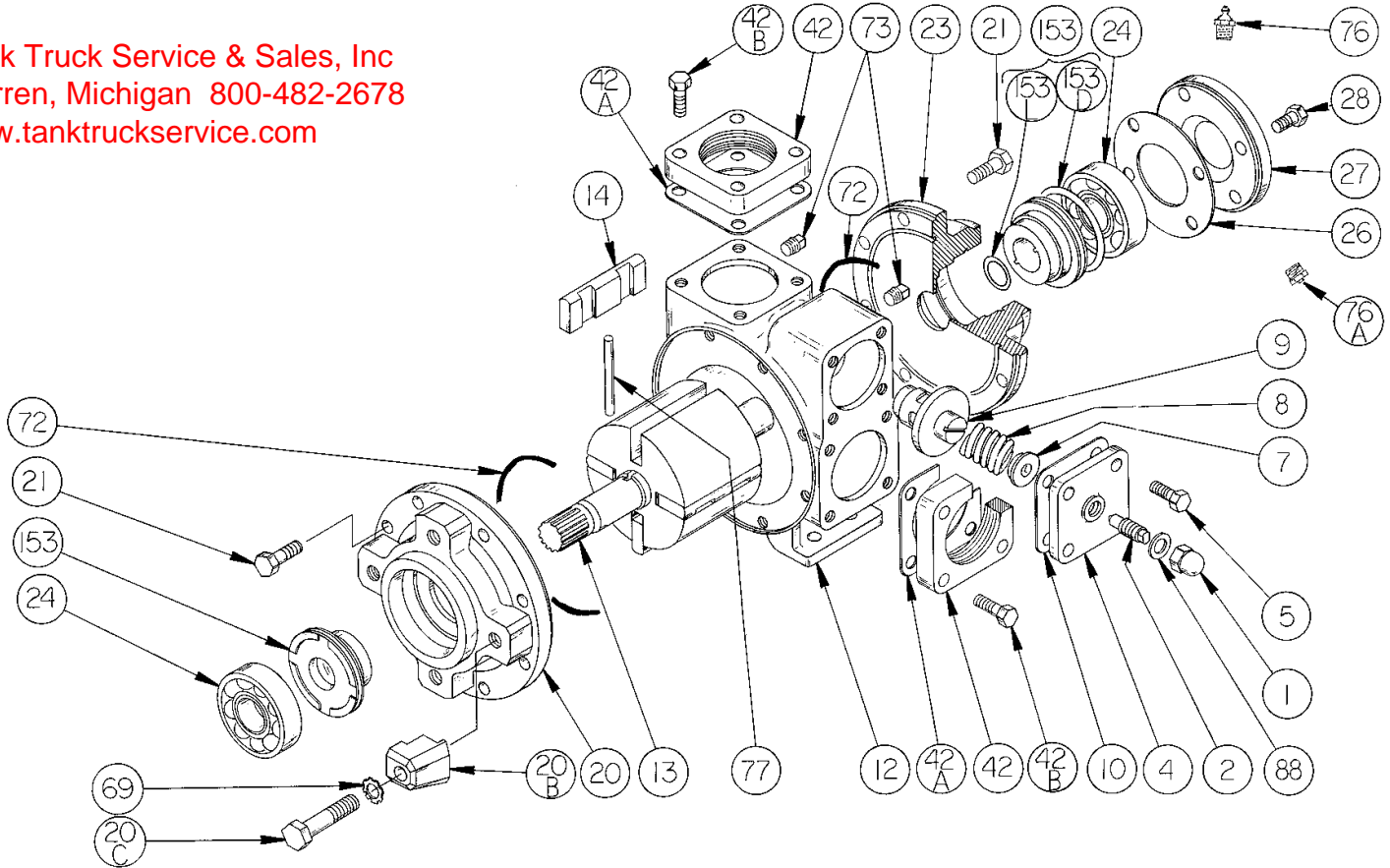
PUMP MODEL: GX2B

961420 **PARTS LIST**
Page 1 of 4 **101-B01**

Section 101
Effective Feb 2014
Replaces Jan 2011

Keep with Instructions 101-B00 for Installation, Operation and Maintenance

Tank Truck Service & Sales, Inc
Warren, Michigan 800-482-2678
www.tanktruckservice.com



Ref. No.	Description	Parts per Pump	Part No.	Ref. No.	Description	Parts per Pump	Part No.
1	Cap - Relief Valve (R/V)	1	411453	20C	Capscrews - Clamp	4	920547
2	Adjusting Screw - R/V	1	431401	21	Capscrews - Head	16	920331
4	Cover - R/V	1	411401	23	Head - Outboard	1	031425
5	Capscrew - R/V Cover	4	920316	24	Ball Bearing	2	¹ 903156
7	Spring Guide - R/V	1	423955	26	Gasket - Bearing Cover	1	¹ 383940
8	Spring - R/V (36-50 psi)	1	471415	27	Bearing Cover	1	041433
	Spring - R/V (51-75 psi)		471420	28	Capscrews - Bearing Cover	4	920285
	Spring - R/V (76-110 psi)		471425	42	Flange - 2" NPT (Std.)*	2	651411
	Spring - R/V (111-125 psi)		471428	42A*	Gasket - NPT Flange (Std.)	2	¹ 381421
9	Valve - R/V (Std.)	1	451417	42B	Capscrews - NPT Flange (Std.)	8	920351
	Valve - R/V (Nickel Plated)		451415	69	Lockwasher - Clamp	4	909630
10	Gasket - R/V Cover	1	¹ 531403	72	O-Ring - Head (FKM) (Std.)	2	¹ 701914
12	Cylinder	1	021403		O-Ring - Head (PTFE)		702242
13	Rotor & Shaft	1	261409		O-Ring - Head (Buna-N)		701947
14	Vane - Duravane (Std.)	4	¹ 091419	73	Gage Plug	2	908198
	Vane - EC Cast Iron		093923	76	Grease Fitting	1	317815
	Vane - EC Laminate		091429	76A	Grease Relief Fitting	1	701992
20	Head - Inboard	1	031427	77	Push Rod	2	¹ 123905
20B	Clamp	4	834001	88	Gasket - R/V Cap	1	¹ 701981
				—	Kit - Maintenance	—	898908

¹ Included in Maintenance Kit

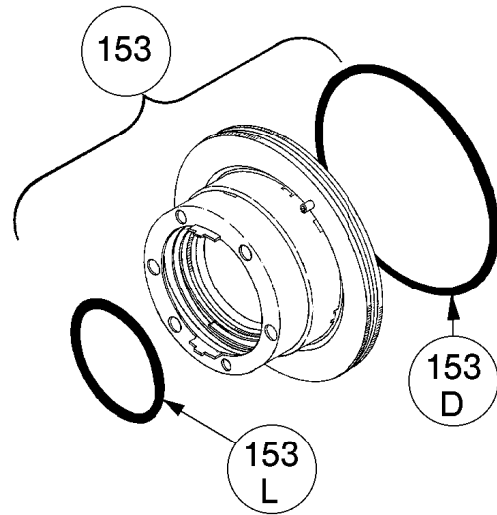
* See Page 2 for Weld / ANSI flange options.

SS = Stainless Steel.

EC = Extra-Clearance.

MECHANICAL SEALS

Ref. No.	Part Name	Parts Per Pump	Part No.
153	Mechanical Seal Complete - (Std.) Cast Iron Stationary Seat, Carbon Seal Face, FKM O-Rings. (IVCV)	2	1 331655
	Mechanical Seal Complete - Cast Iron Stationary Seat, PTFE O-Ring, Carbon Seal Face w/ PTFE Seal Ring. (IACT)		331673
	Mechanical Seal Complete - Stainless Steel Stationary Seat, PTFE O-Ring, Carbon Seal Face w/ PTFE Seal Ring. (WACT)		331648
	Mechanical Seal Complete - Cast Iron Stationary Seat, Carbon Seal Face, Buna-N O-Rings. (INCN)		331601
153D	O-Ring - Stationary (FKM)	2	701921
	O-Ring - Stationary (PTFE)		702056
	O-Ring - Stationary (Buna-N)		701934
153L	O-Ring - Rotating (FKM)	2	701980
	Seal Ring - Rotating (PTFE)		**
	O-Ring - Rotating (Buna-N)		701922

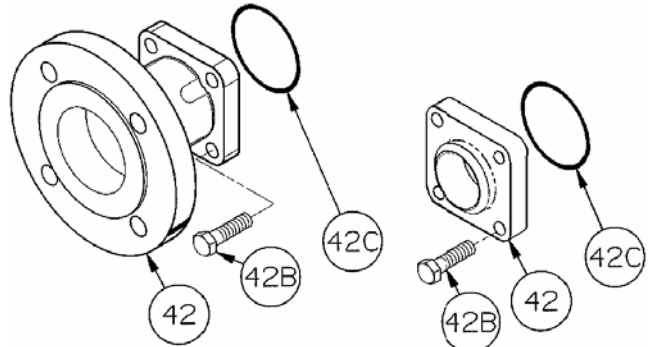


¹ Included in Maintenance Kit

**PTFE Rotating Seal Ring is not available as a separate part.

FLANGE OPTIONS

Ref. No.	Part Name	Parts Per Pump	Part No.
42	Flange - 2" Weld	2	654405
	Flange - 2" ANSI		651417
42B	Capscrews - Weld / ANSI Flange	8	920384
42C	O-Ring - Weld/ANSI Flg. (FKM)	2	701921
	O-Ring - Weld/ANSI Flg. (PTFE)		702056
	O-Ring - Weld/ANSI Flange(Buna-N)		701934



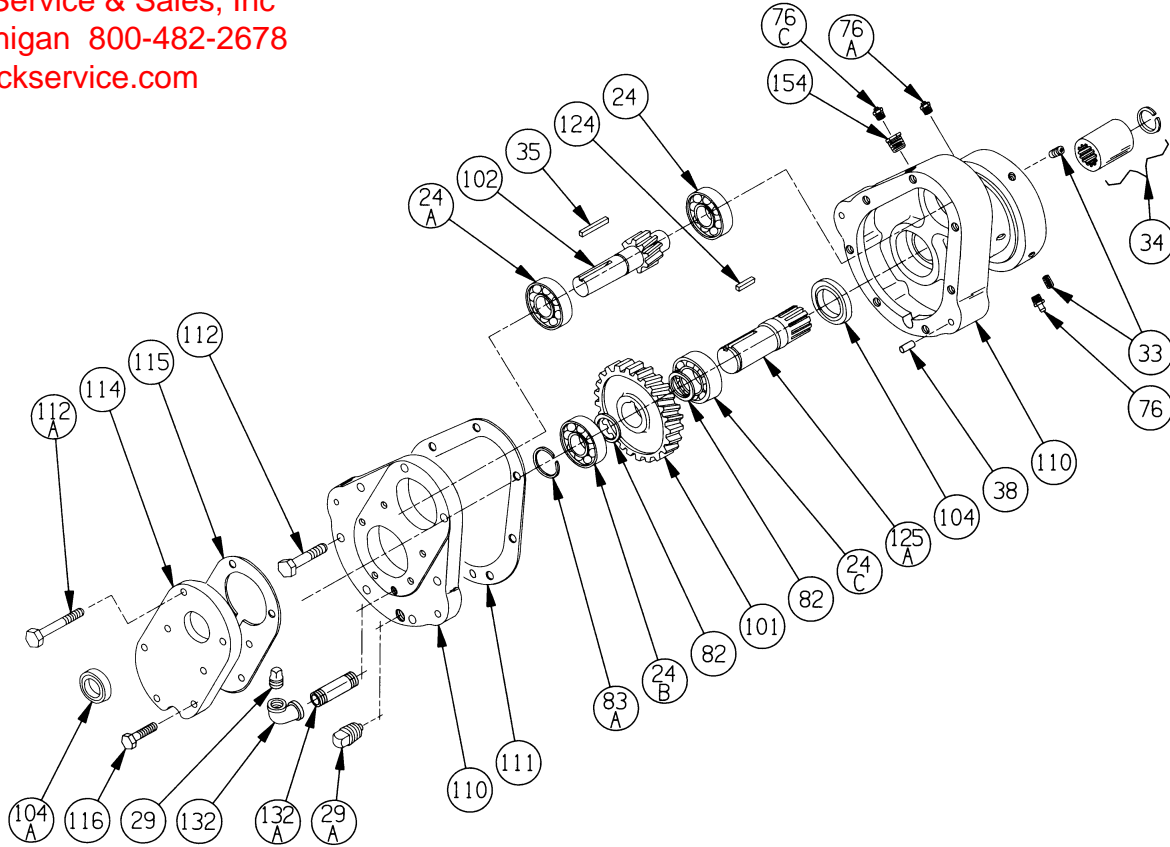
ANSI FLANGE

WELD FLANGE

Tank Truck Service & Sales, Inc
 Warren, Michigan 800-482-2678
www.tanktruckservice.com

HELICAL GEAR REDUCER MODEL: HRO-GX

Tank Truck Service & Sales, Inc
Warren, Michigan 800-482-2678
www.tanktruckservice.com



Ref. No.	Description	Parts per Pump	Part No.	Ref. No.	Description	Parts per Pump	Part No.
24	Bearing	1	903142	102	Pinion & Shaft	1	See Tbl
24A	Bearing – Shielded	1	903143	104	Oil Seal	1	331925
24B	Bearing	1	903116	104A	Oil Seal	1	331921
24C	Bearing – Shielded	1	903117	110	Body/Cover Assembly ¹	1	894041
29	Oil Level Plug	1	908185	111	Gasket – Cover	1	814040
29A	Drain Plug	1	908100	112	Capscrews – Cover	5	920203
33	Set Screw	2	922190	112A	Capscrews – Cover	2	920235
34	Splined Coupling (Includes Snap Ring)	1	906072	114	Closure Plate	1	*
35	Key – Pinion	1	909166	115	Gasket – Closure Plate	1	814042
38	Dowel Pin	2	930739	116	Capscrews – Closure Plate	5	920178
76	Grease Fitting	1	317815	124	Key – Splined Shaft	1	909164
76A	Grease Relief & Vent Fitting	1	701992	125A	Splined Shaft	1	704050
76C	Fill & Vent Plug	1	701988	154	Bushing	1	908794
82	Spacer Ring	2	374041	132	Elbow	1	908603
83A	Retaining Ring	2	903603	132A	Pipe Nipple	1	908302
101	Gear	1	See Tbl				

*Included with Body/Cover Assembly.

¹ Body/Cover Assembly includes Ref. Nos. 38, 110, 111, 112, 112A, 114, 115 & 116.

GEAR AND PINION SELECTION TABLE

RATIO	RPM	102 PINION NO.	QTY	101 GEAR NO.	QTY
2.24	780	915118	1	919918	1
2.72	640	915116	1	919916	1
3.32	520	915117	1	919917	1
4.10	420	915120	1	919920	1
4.94	350	915121	1	919921	1

NOTE: Nominal speed is based on 1740 rpm input.